

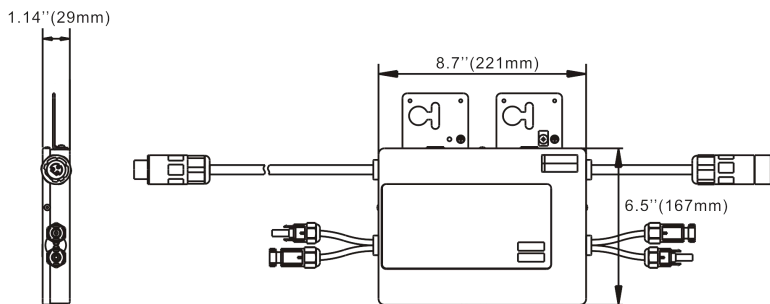


# YC500A

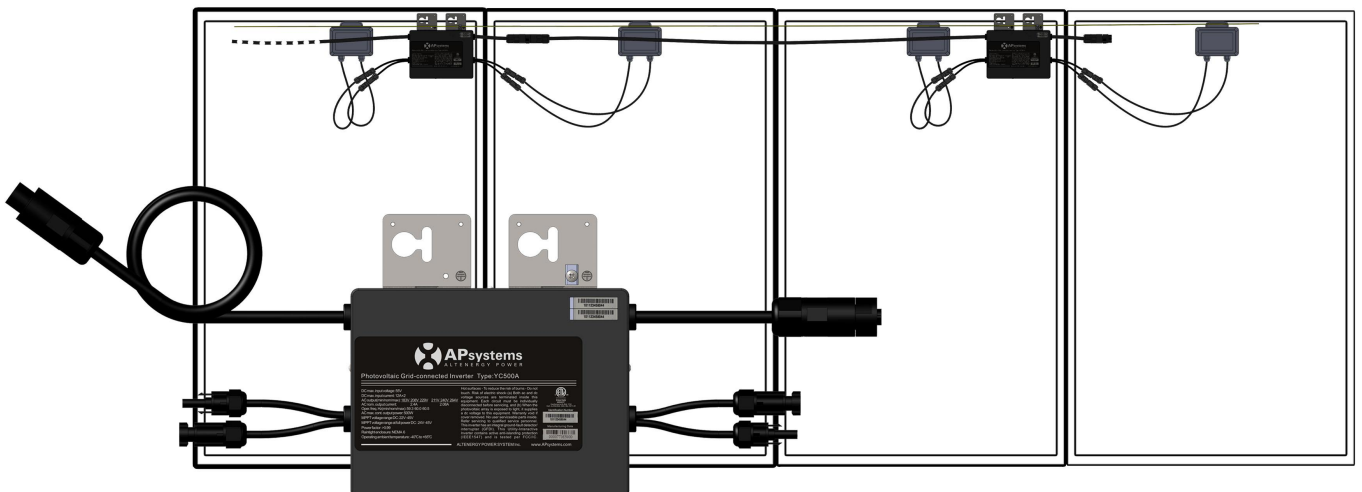
## Microinverter

- Single unit connects two solar modules
- Individual MPPT for each module
- Maximum continuous output power 500W

### DIMENSIONS



Our flagship product, the APsystems YC500A is a grid-tied microinverter with intelligent networking and monitoring systems to ensure maximum efficiency. Highly dependable and cost effective, the YC500A delivers 250W AC per module with dual MPPT. Half the inverters and half the installation means real cost savings for residential and commercial customers.



# APsystems YC500A Microinverter Datasheet

Region

North America

Model

YC500A-NA

## Input Data (DC)

MPPT Voltage Range	22V-45V
Operation Voltage Range	16V-52V
Maximum Input Voltage	55V
Startup Voltage	22V
Maximum Input Current	12A x 2

## Output Data (AC)

Nominal Output Voltage	208V*	240V*
Maximum Continuous Output Power	500W	500W
Nominal Output Current	2.4A	2.08A
Default Output Voltage Range	183V-229V**	211V-264V**
Maximum Output Fault Current (peak)	33.4A	54.8A
Maximum Output Fault Current (RMS)	2.79A	4.85A
Maximum Output Fault Current Duration	1.875ms	1.639ms
Reactive Current	0.1A	
Extended Output Voltage Range	181V-298V	
Nominal Output Frequency	60Hz	
Default Output Frequency Range	59.3Hz-60.5Hz**	
Extended Output Frequency Range	55.1Hz -64.9Hz	
Power Factor	>0.99	
Total Harmonic Distortion	<3%	
Maximum Units Per Branch	6 for 20A Breaker***	7 for 20A Breaker***

## Efficiency

Peak Efficiency	95.5%
CEC Weighted Efficiency	95%
Nominal MPPT Efficiency	99.5%
Night Power Consumption	120mW

## Mechanical Data

Operating Ambient Temperature Range	-40 °F to +149 °F (-40 °C to +65 °C)
Storage Temperature Range	-40 °F to +185 °F (-40 °C to +85 °C )
Dimensions (W x H x D)	8.7" × 6.6" × 1.1" (221mm X 167mm X 29mm )
Weight	5.5lbs (2.5kg)
AC Cable	12AWG
Enclosure Rating	NEMA 6
Cooling	Natural Convection - No Fans

## Features & Compliance

Communication (Inverter To ECU)	Power Line Communication
Emissions & Immunity (EMC) Compliance	FCC Part15; ANSI C63.4;ICES-003
Monitoring	Via EMA Software
Transformer Design	High Frequency Transformers, Galvanically Isolated
Safety Class Compliance	UL1741, CSA C22.2 No.107.1-01
Grid Connection Compliance	IEEE1547

\*The default AC output is 240V mode. For 208V mode, please set the AC output range through ECU.

\*\*Programmable through ECU to meet customer need.

\*\*\*Depending on the local regulations.

© All Rights Reserved

Specifications subject to change without notice - please ensure you are using the most recent update found at [www.APsystems.com](http://www.APsystems.com)

600 Ericksen Ave NE, Suite 200 Seattle, WA 98110 | 844.666.7035 | [APsystems.com](http://APsystems.com)